



EMI Suppression Filters (EMIFILr)

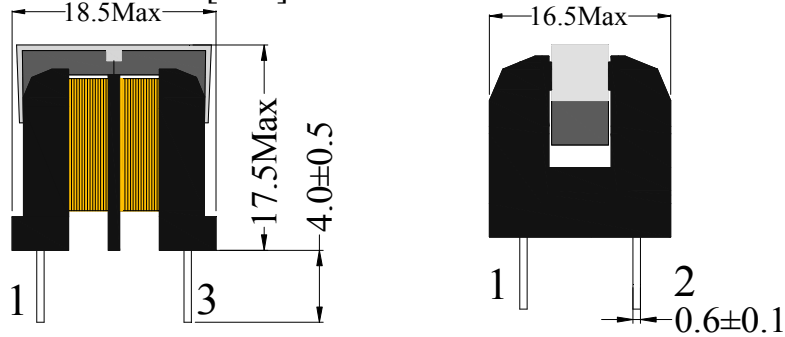
for AC Power Lines

Standard Winding Type

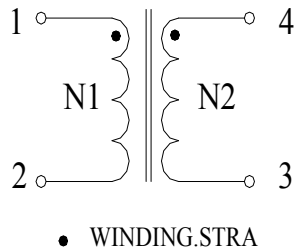
Web: <http://www.dgpinzhan.com>

E-mail: sales@dgpinzhan.com

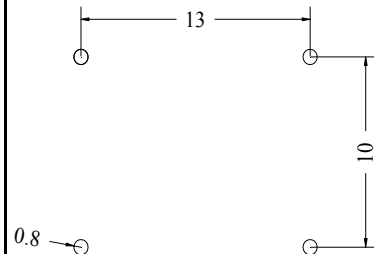
1. Dimensions: [mm]



2. Schematic:



3. PCB Layout Ref(mm)



4. General Properties:

It is recommended that the temperature of the component does not exceed +125°C under worst case conditions.

Storage Temperature: -20 °C up to +60 °C

Operating Temperature: -40 °C up to +125 °C

Temperature Rise < 55K.

Test conditions of Electrical Properties: +20°C, 33% RH if not specified differently.

5. Electrical Properties:

Part Code	Inductance	Test conditions	DC-Resistance	Rated Current	Murata code
PZ-UU10A-152M	1.5mH Min	1KHZ/0.25V	150mΩ Max	2.0A Max	PLA10AN1522R0R2
PZ-UU10A-182M	1.8mH Min	1KHZ/0.25V	180mΩ Max	1.7A Max	PLA10AN1821R7R2
PZ-UU10A-222M	2.2mH Min	1KHZ/0.25V	220mΩ Max	1.5A Max	PLA10AN2221R5R2
PZ-UU10A-302M	3.0mH Min	1KHZ/0.25V	260mΩ Max	1.3A Max	PLA10AN3021R3R2
PZ-UU10A-352M	3.5mH Min	1KHZ/0.25V	320mΩ Max	1.2A Max	PLA10AN3521R2R2
PZ-UU10A-552M	5.5mH Min	1KHZ/0.25V	460mΩ Max	1.0A Max	PLA10AN5521R0R2
PZ-UU10A-742M	7.4mH Min	1KHZ/0.25V	640mΩ Max	0.8A Max	PLA10AN7420R8R2
PZ-UU10A-103M	10.0mH Min	1KHZ/0.25V	860mΩ Max	0.7A Max	PLA10AN1030R7R2
PZ-UU10A-123M	12.0mH Min	1KHZ/0.25V	1.2Ω Max	0.6A Max	PLA10AN1230R6R2
PZ-UU10A-203M	20.0mH Min	1KHZ/0.25V	1.8Ω Max	0.5A Max	PLA10AN2030R5R2
PZ-UU10A-303M	30.0mH Min	1KHZ/0.25V	2.7Ω Max	0.4A Max	PLA10AN3030R4R2
PZ-UU10A-433M	43.0mH Min	1KHZ/0.25V	4.0Ω Max	0.3A Max	PLA10AN4330R3R2

Remarks: N1=N2

*** Acceptable customers design custom**

Created

Tom

Checked

Justin

Type

DIP

Date

2019/10/10

Version

A001

Page

1